



Solo



Solo

Developed by
HYSCENT



Size Matters: Portable. Compact.



A compact fragrancing solution for small to medium size spaces

Portable, sleek and very effective, the HYScent Solo is the go to solution to bring the highest quality fragrancing to smaller spaces. Not only can the Solo be mounted on a wall, but its portability offers unlimited options for use...

From the restroom to the office cubicle, the Solo is the most versatile of fragrancing devices.

Solo dimensions: W 4.50" (114mm), D 3.19" (81mm)

HYScent fragrances are made from pure essential oils and are synergistically formulated with Odoraxe™, a Malodor Technology scientifically designed and tested to effectively counteract unpleasant odors.

ENVIRONMENTALLY FRIENDLY

- No aerosols, harmful solvents, or propellants
- Uses pure essential oils
- Refill cartridges are recyclable

ODOR NEUTRALIZATION

- Attack and neutralize malodors with Odoraxe™

SAVE TIME

- Replace refill in seconds, with easy "one click" loading

SIMPLE TO OPERATE

- Minimal programming required

SILENT OPERATION

- Single-fan technology runs silently

AESTHETICALLY SLEEK

- Unique cylindrical design offers an ergonomic look
- Available in White, Black and Chrome

THEFT PROOF

- Locks onto wall mounting plate provided

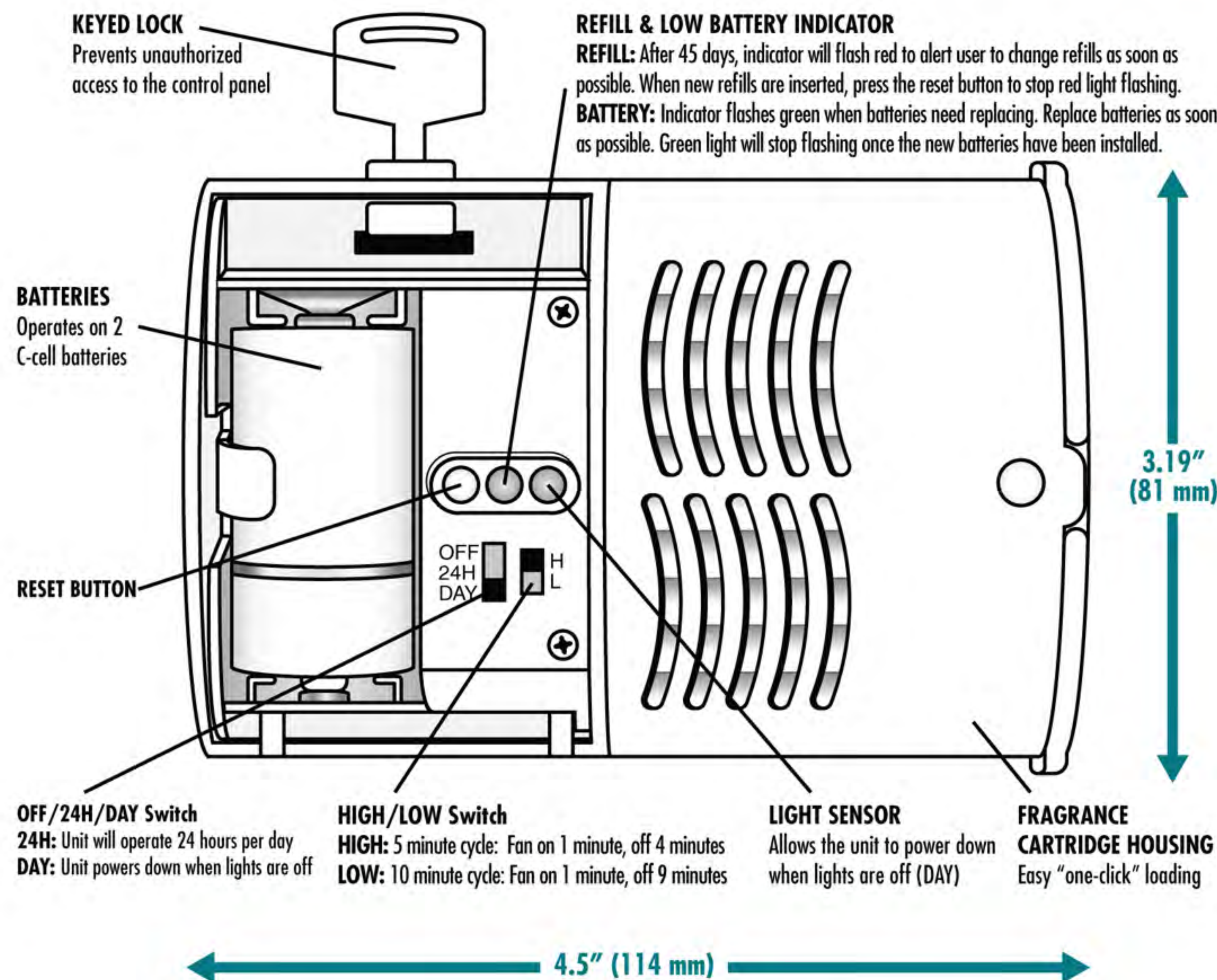


Contact us Today!

HYSO LLC | 430 Gotham Parkway | Carlstadt, NJ 07072
Phone: +1.201.635.9555 | Fax: +1.866.682.8078
sales@hyso.com | internationalsales@hyso.com

eco happy.
www.hyso.com

HYscent Solo: Product Specifications



Operates using 2 C cell batteries; Alkaline recommended; batteries last up to 16 months.



Because of the DRY refill, the Solo can be used anywhere and in any orientation. Mount the Solo on the wall as a permanent fixture, or use it as a desktop system and move it freely from space to space.



The HYscent Solo can fragrance a space of up to 220 sq ft. The installation and placement of the Solo is paramount to achieving maximum coverage.



HYscent offers refills that last for up to 30 or 60 days. Our fragrance families cater to the industry specific needs. For contract service companies, our Essential collection caters to the 28 day change cycle whereas our Signature and Prestige families cater to the end-user where longevity is paramount and last for up to 60 days.



Designed for today's "gadget conscious" world, the Solo is a welcome addition to any decor. A clear departure from the boxy styling in use today, the Solo stands alone as a tasteful, elegant solution for your fragrancing needs. Solos are available in either WHITE, BLACK or CHROME, refill cartridges and desktop stands are available in WHITE or BLACK.



HYscent refills are made from a proprietary blended polymer infused with pure essential oils. The absence of propellants and harmful solvents make HYscent refills the "eco" conscious solution for your fragrancing needs. Your customer will smell only pure essential oil and NOT propellants and harmful solvents that diminish the character and efficacy of the fragrance.



The HYscent Solo can be used anywhere. It is the most versatile of fragrance devices because of its styling and installation options. Mount the Solo on any wall and secure it against theft using the 4 screws provided or show off the Solo in a more personal setting (reception desk, shelving unit, window ledge) by using the desktop stand (sold separately).



HYSO LLC | 430 Gotham Parkway | Carlstadt, NJ 07072
Phone: +1.201.635.9555 | Fax: +1.866.682.8078
sales@hyso.com | internationalsales@hyso.com
www.hyso.com

